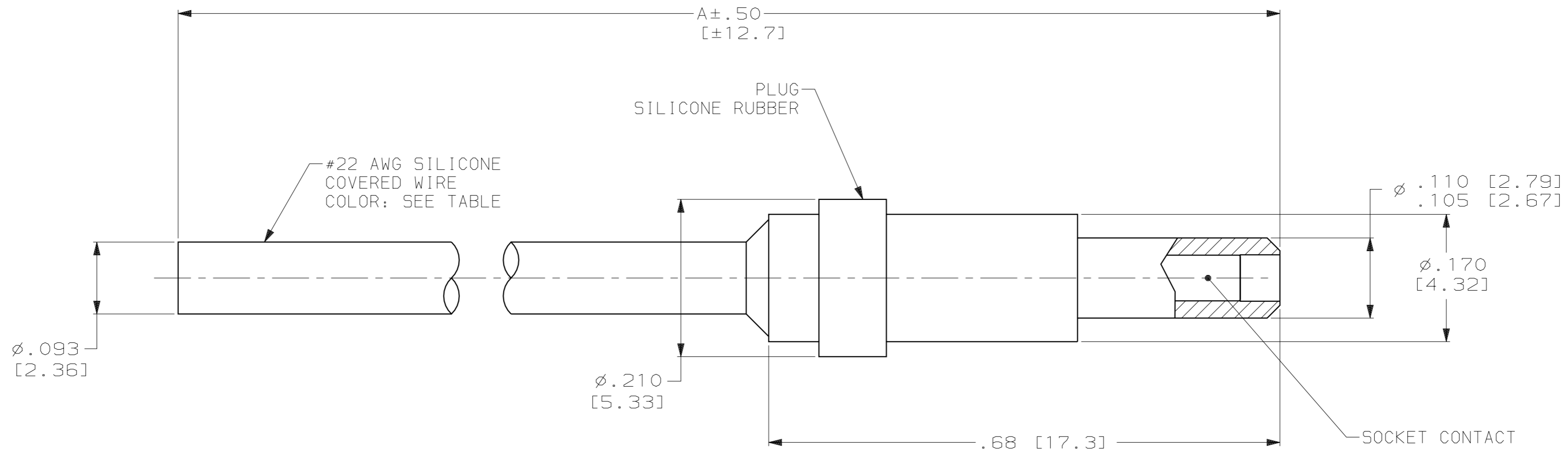


THIS DRAWING IS UNPUBLISHED. RELEASED FOR PUBLICATION
 BY AMP INCORPORATED. ALL RIGHTS RESERVED.

LOC	DIST	REVISIONS			
P	LTR	DESCRIPTION	DATE	DWN	APVD
DF	SO	F	REV PER OH14-0659-04	10-13-04	CT DE



1. MARKED PER MIL-STD-130.
2. THIS PRODUCT IS RATED TO 125°C.

WHITE	40.00 [1016.0]	867823-6
WHITE	6.00 [152.4]	867823-5
WHITE	36.00 [914.4]	867823-4
GREEN	36.00 [914.4]	867823-3
WHITE	30.00 [762.0]	867823-2
WHITE	15.00 [381.0]	867823-1
WIRE COLOR	DIM A	PART NO.

DIMENSIONS:		TOLERANCES UNLESS OTHERWISE SPECIFIED:		DWN	8-23-95	AMP	AMP Incorporated		
INCHES [mm]				CHK	8-28-95		Harrisburg, PA 17105-3608		
		0 PLC	±-	APVD <td>8-28-95 <td colspan="3">NAME</td> </td>	8-28-95 <td colspan="3">NAME</td>	NAME			
		1 PLC	±-	D.EABY			PLUG, MICRO-MIN, LGH		
		2 PLC	±.03 [0.8]	D.EABY			SIZE		
		3 PLC	±.015 [0.38]	D.EABY			CAGE CODE		
MATERIAL		4 PLC	±-	PRODUCT SPEC			DRAWING NO		
		ANGLES	±-	APPLICATION SPEC			A2 00779 C=867823		
		FINISH	-	WEIGHT			SCALE		
				CUSTOMER DRAWING			8:1 SHEET 1 OF 1 REV F		

867823